

MICRO SWITCH

A DIVISION OF HONEYWELL-HONEYWELL, HUNTSVILLE COMPANY

HUNTSVILLE, ALABAMA

TYPE B, MFR. CODE 91929

ACTUATOR - SWITCH

(M) SKETCH 20310
ISSUE 1

JX-40

M

REPLACES

SR 7757

RELEASE NO.

SR 7757

DATE

29 APR 58

2 JULY 58

17 APRIL 61

28 APR 67

5 FEB 68

14 APR 68

22 APR 68

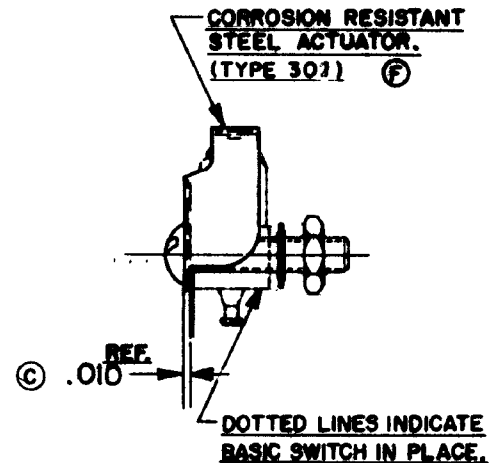
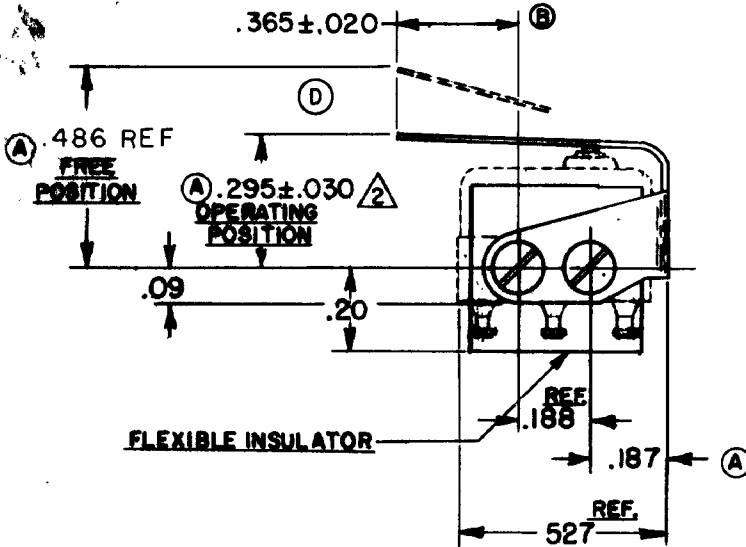
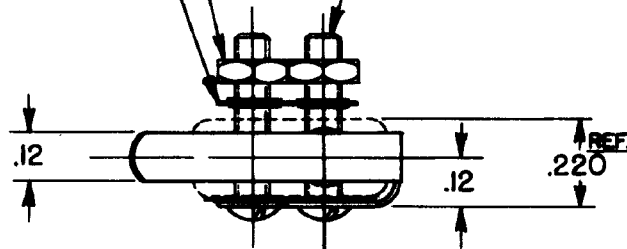
10 MAY 68

2, JULY 68

(2) 2-56 UNC HEX NUT

(2) 2-56 UNC X .438^{REF.} ROUND HEAD MACHINE SCREW.

(2) LOCKWASHER



NOTE -

- 1- SCREWS, NUTS, LOCKWASHERS AND INSULATOR FURNISHED UNASSEMBLED.
- 2 SLIGHT ROTATION BETWEEN BASIC AND ACTUATOR MAY BE NECESSARY
- 3 TO OBTAIN OPERATING POSITION WEIGHT INCLUDES BRACKET ASSEMBLY ONLY DOES NOT INCLUDE BASIC SWITCH

CHARACTERISTICS WITH ISX1-T BASIC SWITCH INSTALLED

OPERATING FORCE ---- 7 OZ MAX
RELEASE FORCE ----- 2 OZ MIN
DIFFERENTIAL TRAVEL --- .025 MAX
OVERTRAVEL ----- .015 MIN

ELECTRICAL DATA

CONTACT ARRANGEMENT

SCALE 2 TO 1

DO NOT SCALE PRINT

UNLESS OTHERWISE SPECIFIED DIMENSIONS ARE IN INCHES
TOLERANCES ARE:

ONE PLACE (.0) ±.000
TWO PLACE (.00) ±.010
THREE PLACE (.000) ±.000
ANGLES 2

WEIGHT .003 LB MAX

分销商库存信息:

HONEYWELL

JX-40

分销商库存信息:		
<u>HONEYWELL</u>		
<u>JX-40</u>		